

# Piede in Polyamide & Inox

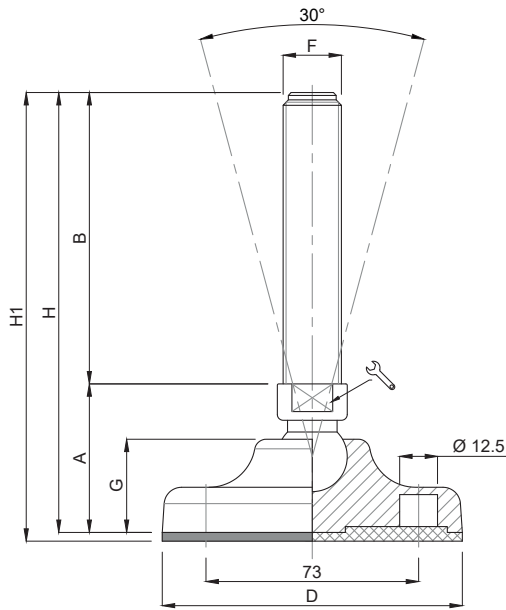
PLASTICA


Martin  
Levelling Components

PLASTICA

Caratteristiche: BASE Ø 103, STELO SNODATO 30°

Features: BASE Ø 103, 30° ARTICULATED STEM



| CODICE - CODE        |                         | descrizione<br>description | DIMENSIONI PRINCIPALI - MAIN DIMENSIONS |     |       |   |     |    |     |     | CARICO STATICO<br>STATIC LOAD<br>NEWTON |
|----------------------|-------------------------|----------------------------|---|-----|-------|---|-----|----|-----|-----|---|
| standard<br>standard | antiscivolo<br>antislip |                            | A                                       | B   | D     |  | F   | G  | H   | H1  |   |
| 10102                | 10103                   | M16X50                     | 51                                      | 50  | Ø 103 | 20  | M16 | 32 | 101 | 104 | 25000                                   |
| 10104                | 10105                   | M16X75                     | 51                                      | 75  | Ø 103 | 20  | M16 | 32 | 126 | 129 | 25000                                   |
| 10106                | 10107                   | M16X100                    | 51                                      | 100 | Ø 103 | 20  | M16 | 32 | 151 | 154 | 25000                                   |
| 10108                | 10109                   | M16X125                    | 51                                      | 125 | Ø 103 | 20  | M16 | 32 | 176 | 179 | 25000                                   |
| 10110                | 10111                   | M16X150                    | 51                                      | 150 | Ø 103 | 20  | M16 | 32 | 201 | 204 | 25000                                   |
| 10112                | 10113                   | M16X175                    | 51                                      | 175 | Ø 103 | 20  | M16 | 32 | 226 | 229 | 25000                                   |
| 10114                | 10115                   | M16X200                    | 51                                      | 200 | Ø 103 | 20  | M16 | 32 | 251 | 254 | 25000                                   |
| 10116                | 10117                   | M16X225                    | 51                                      | 225 | Ø 103 | 20  | M16 | 32 | 276 | 279 | 25000                                   |
| 10120                | 10121                   | M20X75                     | 51                                      | 75  | Ø 103 | 20  | M20 | 32 | 126 | 129 | 25000                                   |
| 10122                | 10123                   | M20X100                    | 51                                      | 100 | Ø 103 | 20  | M20 | 32 | 151 | 154 | 25000                                   |
| 10124                | 10125                   | M20X125                    | 51                                      | 125 | Ø 103 | 20  | M20 | 32 | 176 | 179 | 25000                                   |
| 10126                | 10127                   | M20X150                    | 51                                      | 150 | Ø 103 | 20  | M20 | 32 | 201 | 204 | 25000                                   |
| 10128                | 10129                   | M20X175                    | 51                                      | 175 | Ø 103 | 20  | M20 | 32 | 226 | 229 | 25000                                   |
| 10130                | 10131                   | M20X200                    | 51                                      | 200 | Ø 103 | 20  | M20 | 32 | 251 | 254 | 25000                                   |
| 10132                | 10133                   | M20X225                    | 51                                      | 225 | Ø 103 | 20  | M20 | 32 | 276 | 279 | 25000                                   |
| 10134                | 10135                   | M20X250                    | 51                                      | 250 | Ø 103 | 20  | M20 | 32 | 301 | 304 | 25000                                   |
| 10138                | 10139                   | M24X75                     | 52                                      | 75  | Ø 103 | 20  | M24 | 32 | 127 | 130 | 25000                                   |
| 10140                | 10141                   | M24X100                    | 52                                      | 100 | Ø 103 | 20  | M24 | 32 | 152 | 155 | 25000                                   |
| 10142                | 10143                   | M24X125                    | 52                                      | 125 | Ø 103 | 20  | M24 | 32 | 177 | 180 | 25000                                   |
| * 10144              | 10145                   | M24X150                    | 52                                      | 150 | Ø 103 | 20  | M24 | 32 | 202 | 205 | 25000                                   |
| 10146                | 10147                   | M24X175                    | 52                                      | 175 | Ø 103 | 20  | M24 | 32 | 227 | 230 | 25000                                   |
| * 10148              | 10149                   | M24X200                    | 52                                      | 200 | Ø 103 | 20  | M24 | 32 | 252 | 255 | 25000                                   |
| 10150                | 10151                   | M24X225                    | 52                                      | 225 | Ø 103 | 20  | M24 | 32 | 277 | 280 | 25000                                   |
| 10152                | 10153                   | M24X250                    | 52                                      | 250 | Ø 103 | 20  | M24 | 32 | 302 | 305 | 25000                                   |

\* Disponibile con Filettatura a passo fine. Aggiungere "/P2" al codice  
Available with Thin pitch thread. Please, add "/P2" to the code